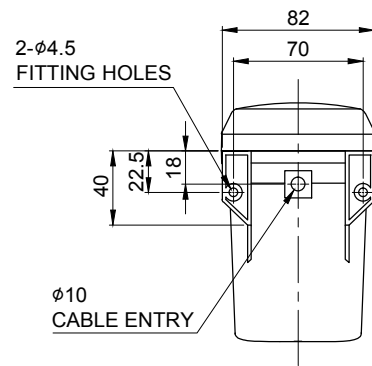
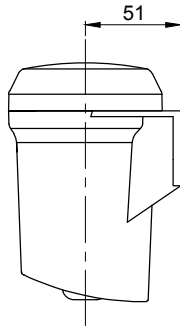
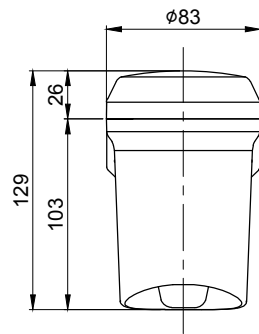


MARK	DATE	REVISION	REVISER	APP .BY
①				
②				
③				

MODEL NO	QAP80H			
MATERIAL	HOUSING-ABS			
	RESONANCE CHAMBER-ABS			
	-			
COLOR OF HOUSING	MAKER STANDARD			
USE VOLT.	CURRNET	DC12V ~ 24V	MAX. 0.920A	
VOLUME	WARNING SOUNDS 30Ch		MAX. 100dB at 1m	
PROTECTION GRADE	WATER & DUST PROOF - IP65			
CABLE ENTRY	φ10 CABLE ENTRY			



	ISO2768-1 : CLASS OF TOLERANCE					SURFACE FINISH
	f	m	Ⓢ	v		
FOR LINEAR DIMENSIONS	0.5~3	±0.05	±0.1	±0.2	-	
	3~6			±0.3	±0.5	
	6~30	±0.1	±0.2	±0.5	±1	
	30~120	±0.15	±0.3	±0.8	±1.5	
	120~400	±0.2	±0.5	±1.2	±2.5	
	400~1000	±0.3	±0.8	±2	±4	
FOR ANGULAR DIMENSIONS	0~10	±1°		±1°30'	±3°	
	10~50	±0°30'		±1°	±2°	
	50~120	±0°20'		±0°30'	±1°	
	120~400	±0°10'		±0°13'	±0°30'	

Nr.	DWG. NO.	TITLE/ NAME		MAT'L	QTY	REFERENCE
DSND BY	CHKD BY	CHKD BY	APRV BY	VIEW	DATE	
S.H.KIM	J.H.PARK		J.K.HAN	3	2019.03.20	
TITLE			MODEL			
QAP80H OUTLINE DRAWING			QAP80H			
DWG. NO.			QAP80H_OUT			
SCALE	SIZE	REV	SHEET			
N/S	A4	00	1/1			

