

QMPS

Panel Mounted Multi-Functional Speaker

Both built-in sounds and option for external sound input via SDcard (MP3) have 30 built-in sounds
Able to avoid signal confusion with a variety of tone options

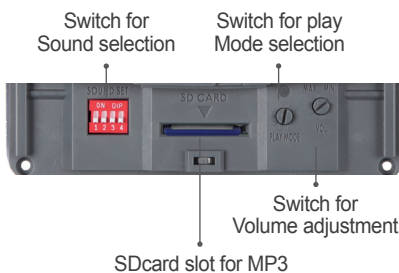
- Bit Input offers 5 channels with 6 sound outputs
- Binary Input offers 30 sound outputs
- SDcard (MP3) combination



QMPS QMPS Panel Embedded Multifunctional Speaker (SDcard/ MP3 Type)

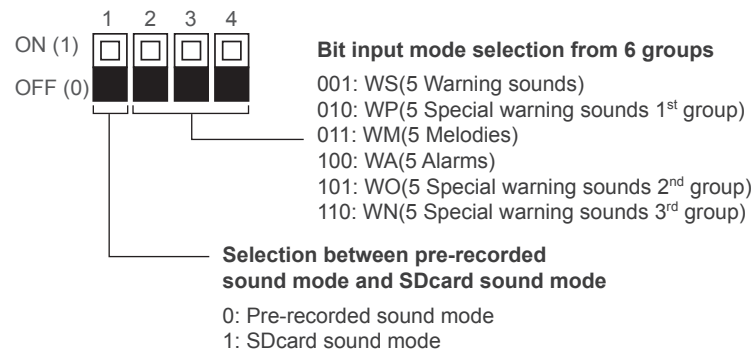
- Can prevent cross talk of different voice environments by selecting an audio signal fit for the specific environment and condition
- Offers both Binary and Bit input mode options with 30 pre-recorded sounds
- Binary input mode has built-in 30 messages that can be played with switch for sound selection
- Bit input mode is organized into 6 groups of 5 sound tones for a total of 30 sound tone options. Playback can be selected from one of the 5 tones in each group (MP3 file with bit input mode)
- Volume adjustment and sound selection switches located inside the unit
- SDcard type can play MP3 voice messages, user can select and change the sound message after record it
- Sound volume : Max 98dB at 1m
- Materials : Housing-ABS, Cover-ABS
- Ambient operating temperature : -25°C to +50°C
- Protection rating : IP54
- Certificates : CE Compliant, UL Listed
- Compliant with RoHS directive

• Features



Sound Selection Instruction for SDcard Type

You can select between pre-recorded sound mode and SDcard sound (MP3) mode with the SOUND selection switch



SDcard(MP3) Type

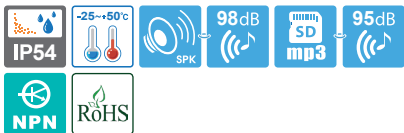


You can easily rearrange the sound playback and group arrangement with PC.
Capacity is 32Gbyte.
* SDcard sold separately.

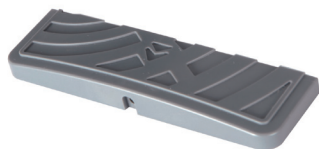
- 30 pre-recorded sounds offered (5 warning sounds, 5 special warning sounds 1st group, 5 melodies, 5 alarms, 5 special warning sounds 2nd group, 5 special warning sounds 3rd group)
- External MP3 sound support (SDcard)
- Binary input : 30 channels
- Bit input : 5 channels (6 sound groups)
- A multi-functional product that can use an SDcard for MP3 playback
- Details on how to setup the multi-functional speakerphone are on page 28

QMPS

Panel Mounted Multifunctional Speaker



QMPS



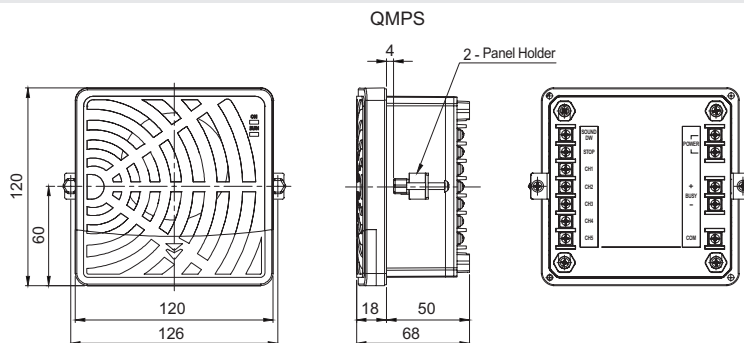
Terminal box for wiring both power and sound pattern(Rear)

QMPS Max. 98dB, Panel Mounted Multifunctional Speaker

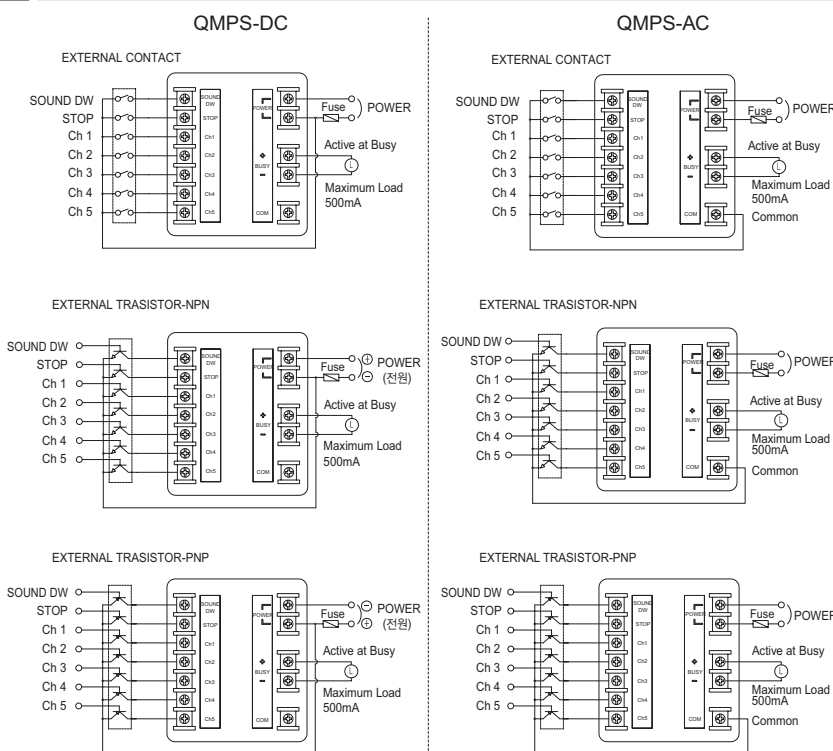
Model number	Voltage	Current	dB	Input Method/ No. of Ch	Certificate	Weight
QMPS	DC12V-24V	Max 0.750A	• Warning : 98dB • MP3 : 95dB	Bit Input : 5Ch Binary Input : 30Ch	 DC only DC only	0.35kg
	AC110V-220V	Max 0.100A				0.53kg

※ DC type model has a free-voltage range of DC10V-30V.
 ※ AC type model has a free-voltage range of AC100V-240V.

Technical Diagram (Units : mm)



Wiring Instructions



• In case of bits input, 5 sound tones can be played. For Binary input, 30 sound tones can be played.

※ Please refer to page 28 for detailed channel input instructions.
 (Wiring instruction is substituted for channel selection switch)

Ordering Specification

QMPS	-	12/24
[Model number]		[Voltage]
• QMPS		• 12/24-DC12V-24V • 110/220-AC110V-220V



Warning/
Signal/
Stackable



Signal &
Electric Horn/
Speakers



Vessels and
Heavy-Duty
Equipment



Explosion
Proof



Warning
Light Bar



Aviation
Obstruction
Lights



Signal Tower
Lights



USB/ETN
Signal Tower
Lights



Electric Horn/
Speakers



Industrial
LED Lights