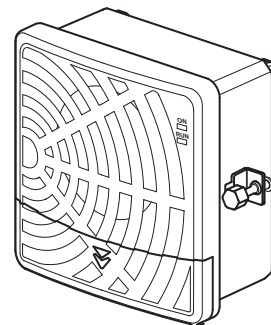


# Panel Mount Audible Alarm

## QMPS



Thank you for purchasing Qlight's products. Please read this user manual carefully prior to installation and operation to ensure safe and correct use.

### ⚠️ Precautions for Safety

Failure to follow the instructions below may cause a loss of life or serious physical injury.

1. During wiring or maintenance, please completely turn off the power of the product. (Failure to follow this may lead to an electric shock.)
2. Do not install the product in locations that subjects it to excessive dust or water other than the conditions designated by the IP protection ratings indicated for each product. (Failure to follow these instructions may cause a fire to the product, electric shock, physical injury, malfunction or damage to the product.)
3. Do not alter or repair this product. If maintenance or repair service is required, please contact your local Qlight contact point. (Failure to follow these instructions may lead to fire, electric shock, or product damage.)
4. Please apply the correct voltage to the product. (Failure to follow these instructions may lead to fire, electric shock, or product damage.)
5. When the product is applied to a condition that may impact lives or property, please make sure to have a double safety device. (Failure to follow this may cause damage to property, fire, electric shock and loss of life.)

### ⚠️ Precautions for Correct Use



Failure to follow the proper instructions may cause damage to property, the product, and or malfunction of the product that would void the warranty.

1. Please remove any objects that can interrupt ventilation around the product.
2. Please turn off the power of the product immediately if it fails to operate properly.
3. Carefully wire the product according to each product's specification.
4. Please be careful in preventing chemicals such as thinner, benzene, etc. in contact with the surface of the product.
5. Do not apply excessive force/impact to the product.
6. Failure to follow any of the instructions above may cause malfunction or damage to the product, fire, and electric shock.

### Ordering Specifications

QMPS	-	12/24
[Model number]		[Voltage]
• QMPS		• 12/24-DC12V-24V • 110/220-AC110V-220V

### Product Specifications

Model number	Voltage	Current	Sound Volume (dB)	Input Method/ No.of ch	Certificate	Weight
QMPS	DC12V-24V	Max. 0.750A	• Warning : 98dB • MP3 : 95dB	Bit Input:5Ch Binary Input:30Ch	 	0.35kg
	AC110V-220V	Max. 0.100A				0.53kg

※ DC type model has a free-voltage range of DC10V-30V.

※ AC type model has a free-voltage range of AC100V-240V.

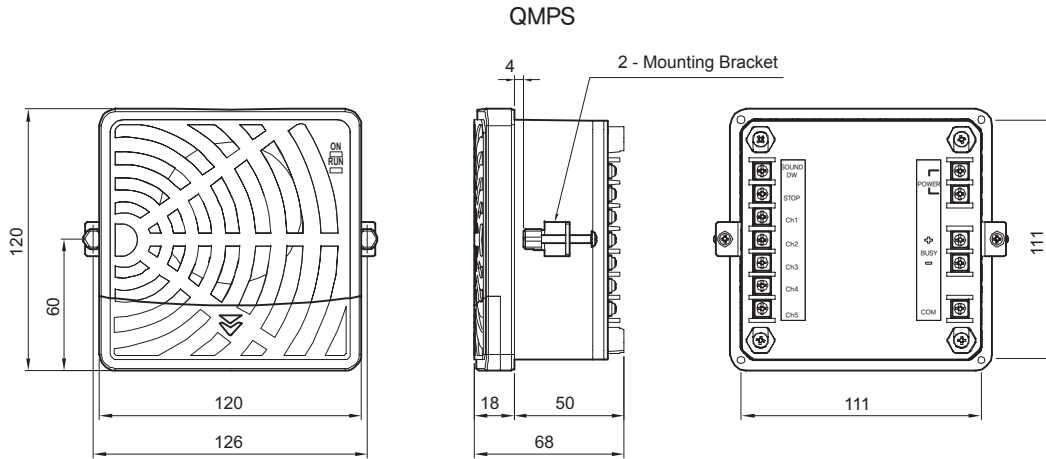
※ CE Compliant, UL Listed : DC12V/24V

- **Protection rating** : IP54
- **Ambient operating temperature** : -25°C to +50°C



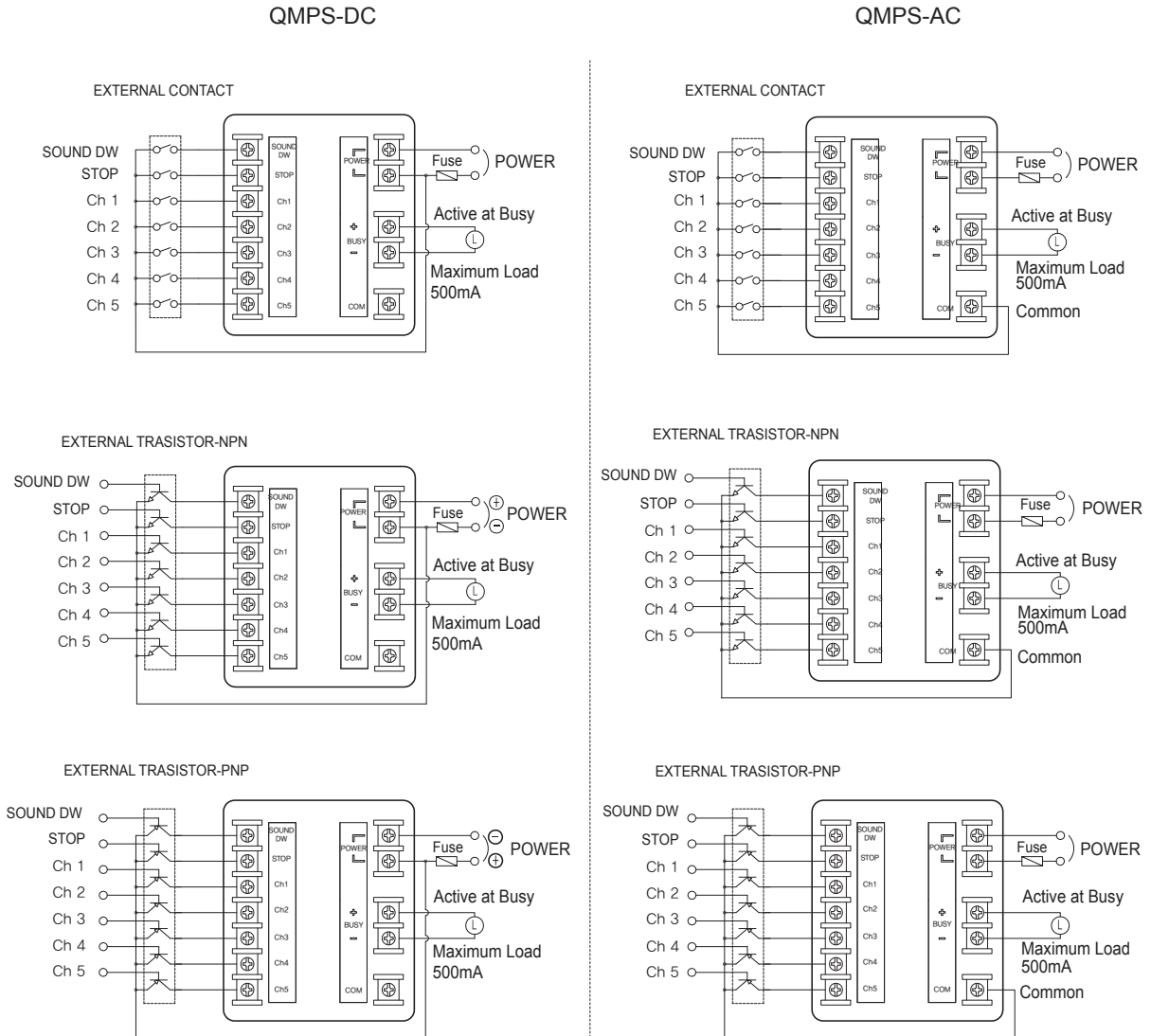
Please scan the QR code for more detailed product information.

[www.qlight.com](http://www.qlight.com)

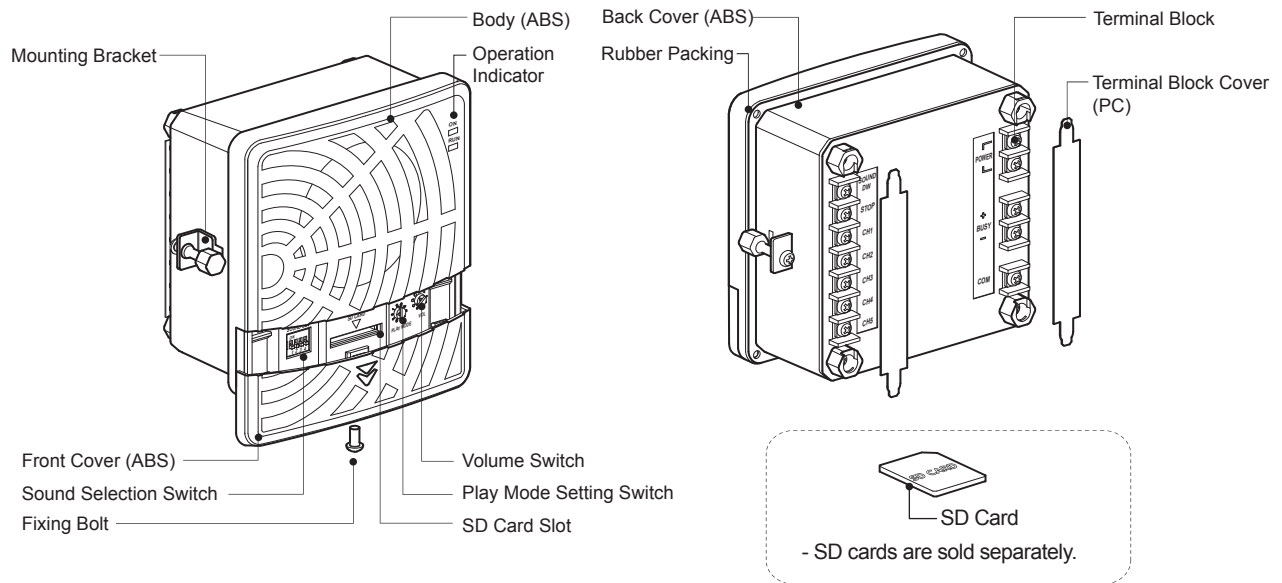


Wiring Instructions

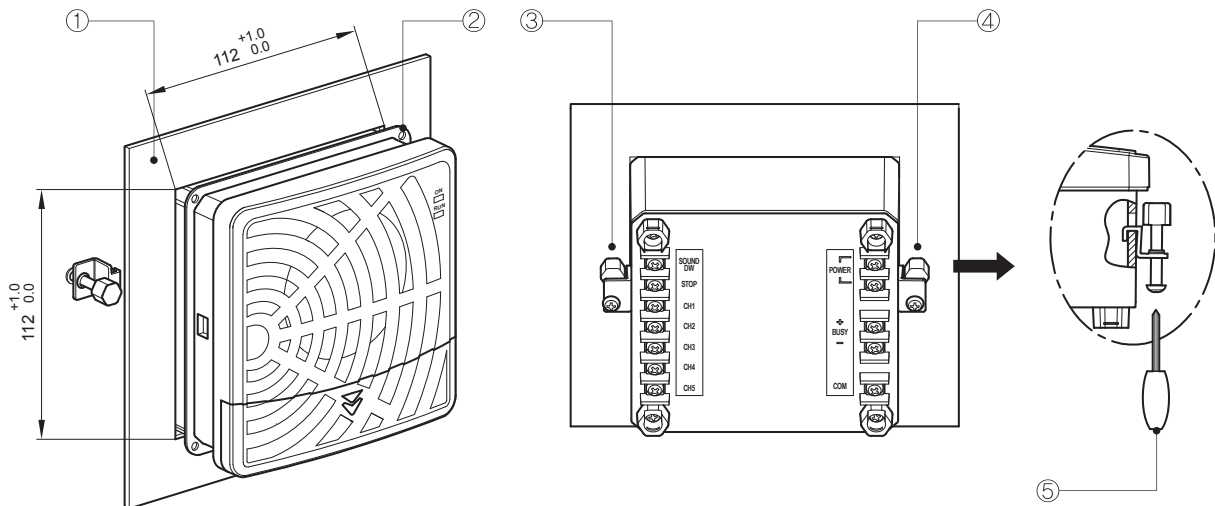
- When wiring the product with an external transistor, both NPN and PNP type transistors can be used.



## Parts Definition



## Installation

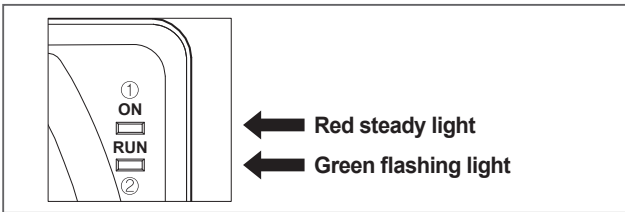


- First, cut a square hole (see the above dimensions) on the panel ① to mount the product.
- Insert the rubber packing ② and the product into the square hole of the panel.
- Place the mounting bracket (2EA) ③ and ④ (provided with the product) on the sides of the body and tighten it with a screwdriver ⑤ please ensure the screws are securely tightened.
- Max. thickness allowed for mounting panel is 10mm.

## Installation Environment and Protection Rating

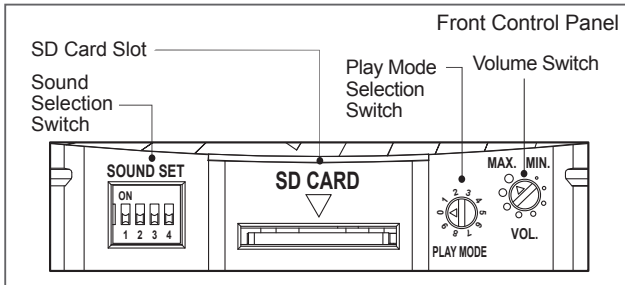
- This product is designed for use with protection rating of IP54.
- If the product is installed in locations that subject it to excessive dust or water other than the designated IP protection rating indicated (IP54), it may cause malfunction or damage to the product.
- For further information, please visit our website ([www.qlight.com](http://www.qlight.com)).

## Operation Indicator

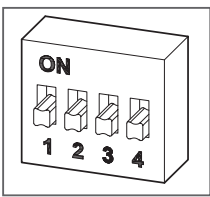


- ① The red indicator light is on when voltage is supplied to the power terminal.
- ② The green indicator light is on when the product is operating normally.

## Front Control Configuration



## Sound Setting



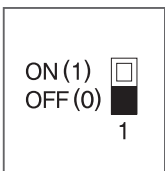
- Select between built-in sounds and external sounds (SD Card) using the sound selection switch.
- Please be conscious of the number selected for your desired sound option.
- Switch 1 : Can select between built-in sound and external sound options (SD Card).
- Switch 2, 3 and 4 : Can select sound group from built-in sounds.

### Select Built-in Voice Group

- This is used when built-in sound mode is selected.
- Select between the six sound groups.
- Every group has 5 type of sounds.

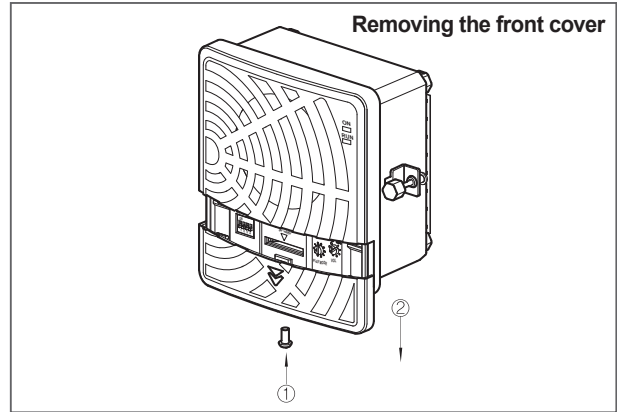
How to select bit type sound group				
ON(1) OFF(0)	2	3	4	Sounds
No.	2	3	4	
1	0	0	1	5 Warning Sounds
2	0	1	0	5 Special Warning Sounds (1st Group)
3	0	1	1	5 Melodies
4	1	0	0	5 Alarms
5	1	0	1	5 Special Warning Sounds (2nd Group)
6	1	1	0	5 Special Warning Sounds (3rd Group)

### Selection between Built-in Sound and External Sound (SD Card Type)



- To play built-in sounds, set the sound setting switch to the OFF (0) position.
- To play an external sound on the SD card, insert the SD card into SD card slot and set the sound setting switch to ON (1).

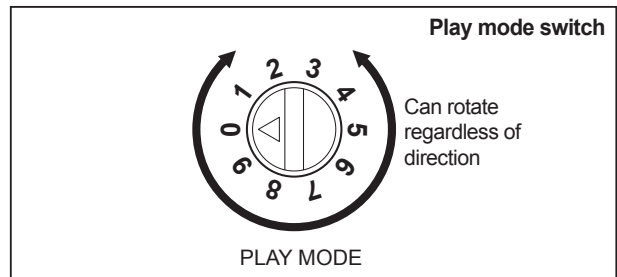
## Removing the Front Cover



- ① Loosen the cover fixing bolt (M3) fastened at the bottom of the product.
- ② Gently press down the front cover and pull it down. (be careful that the cover may fall off if you apply excessive force.)

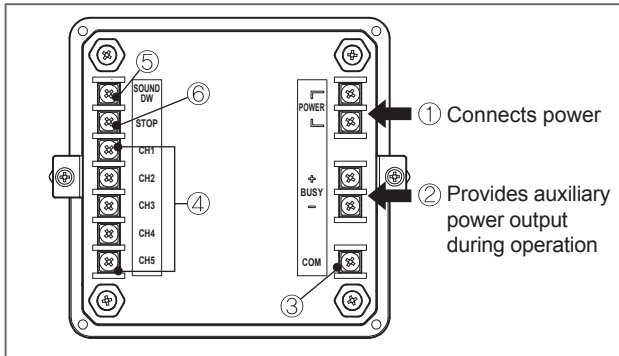
## Play Mode Setting

- Can select between channel input methods (bit/ binary) and various playback modes.
- Use a (-) flat screwdriver to rotate one space at a time. (regardless of the direction of rotation.)
- Switch 0 and 9 have no function.



PLAY MODE		
1	Bit Input Mode	<ul style="list-style-type: none"> <li>• Play back one of the 5 built-in or external sounds once</li> <li>• For a built-in sound, the playback time is about 10 seconds</li> </ul>
2	Binary Input Mode	<ul style="list-style-type: none"> <li>• Play back one of the 30 built-in or external sounds once</li> <li>• For a built-in sound, the playback time is about 10 seconds</li> </ul>
3	Bit Input Hold Playback Mode	<ul style="list-style-type: none"> <li>• Play back one of the 5 built-in or external sounds continuously</li> </ul>
4	Binary Input Hold Playback Mode	<ul style="list-style-type: none"> <li>• Play back one of the 30 built-in or external sounds continuously</li> </ul>
5	Bit Input Sound Reduction Mode	<ul style="list-style-type: none"> <li>• Decrease the volume of the selected channel by 15dB</li> <li>• Play back one of the 5 built-in or external sounds continuously</li> </ul>
6	Binary Input Sound Reduction Mode	<ul style="list-style-type: none"> <li>• Decrease the volume of the selected channel by 15dB</li> <li>• Play back one of the 30 built-in or external sounds continuously</li> </ul>
7	Bit Input Sequence Memory Playback Mode	<ul style="list-style-type: none"> <li>• When other channel signals are continuously inputted within 3 seconds after inputting the channel, the input order is memorized and playback in the memorized order (playback time is 3 - 5 seconds)</li> <li>• The last input channel is played continuously (Bit input only)</li> </ul>
8	Test Mode	<ul style="list-style-type: none"> <li>• In the test mode, the Ch1 of the built-in sound or the external sound is automatically played continuously</li> <li>• Switch back to another mode to exit test mode</li> </ul>

## Rear Terminal Block Configuration



- ① Terminal for power input.
- ② The auxiliary terminal block outputs power that can operate auxiliary equipment.
  - Input voltage (DC12V) : DC11V output
  - Input voltage (DC24V) : DC23V output
  - Input voltage (AC) : DC24 ± 10% output
- ③ COM terminal for channel selection. Refer to Page2 for connection method information.
- ④ Sound channel selection terminal. You can select the sound by using external contact or transistor.
- ⑤ SOUND DW : When the terminal is connected, playback volume is reduced by 15dB.
- ⑥ Stop playback (STOP) : When the terminal is connected during playback, playback stops.

## Bit/ Binary input method using rear terminal block

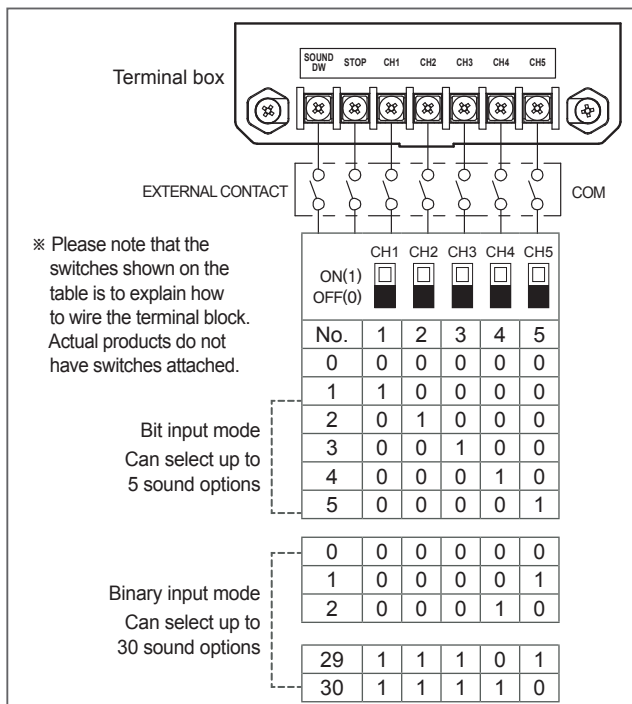
### ■ Bit Input Mode

- Bit input mode(using external line) allows you to select one of five sound options by switching on one of the 5 channels(Ch1 - Ch5).
- Total of 5 sound options are configurable.

### ■ Binary Input Mode

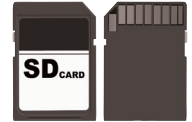
- Binary input mode(using external line) allows you to receive multiple inputs by using the 5 channels(Ch1 - Ch5) to configure one of 30 sound options.
- Total of 30 sound options are configurable.

### ■ Wiring through terminal block with either external contact or NPN transistor allows either bit or binary input method for sound channel selection.

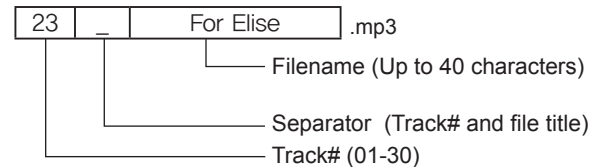


## SD Card Specifications and Sound Saving Manual

- SD card specifications
- Use standard SD card.
- Mini SD or Micro SD also can be used with adaptor.
- SD, SDHC type supported
- Storage capacity : Max. 32GB
- Class : No specification



- Please save the MP3 sound file on the SD card as shown below.
- Create an "MP3\_FILE" folder on the SD card and save the MP3 file in the following file format.
- MP3 file format



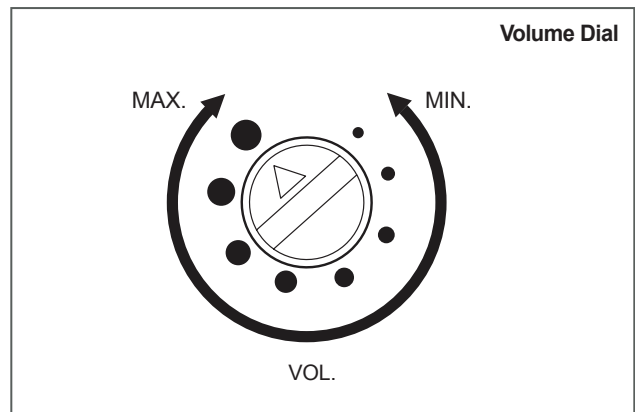
- When saving files, please save them in order.
- Please start saving after formatting the SD card.
- The length of the file name must not exceed 20 characters.

[Example]

- MP3 01\_Fire.mp3
- MP3 02\_Emergency.mp3
- MP3 03\_For Elise.mp3
- ⋮
- MP3 30\_Cuckoo's Waltz.mp3

## Volume Adjustment

- The volume output of this product is adjustable.
- Turn the volume dial clockwise to increase the volume, and turn counter clockwise to decrease the volume.
- There will be no sound when the dial is put at MIN.



## Sound Type and Combination Manual

### ■ Bit Input - Playing Built-in Sound

- In bit input mode, you can choose one sound from 5 sounds by configuring the 1 channels.
- This product has a terminal block to select a sound source. For further details, refer to page 5 'Bit/ Binary Input Method using Rear Terminal Block' section of this manual.
- For sound configurations, refer to the table below.

Bit input method sound configuration						
No.	Ch1	Ch2	Ch3	Ch4	Ch5	Type of sound (WS group as an example)
	ON(1) OFF(0)	ON(1) OFF(0)	ON(1) OFF(0)	ON(1) OFF(0)	ON(1) OFF(0)	
0	0	0	0	0	0	No sound
1	1	0	0	0	0	Fire.A-ANG(560Hz-1.5kHz)
2	0	1	0	0	0	Emergency WA-U (600Hz-1.5kHz)
3	0	0	1	0	0	Ambulance PI-PO (450Hz-900Hz)
4	0	0	0	1	0	Machinery Fault(820Hz)
5	0	0	0	0	1	High Expansion(1kHz)

※ Please be noted that the configuration chart above is explaining how to wire terminal blocks. The actual product does not have a switch.

### ■ Sound Type by Group

Bit input method sound configuration			
Group	Channel	Type of sound	
WS	5 Warning Sounds	Ch1	Fire.A-ANG (560Hz-1.5kHz)
		Ch2	Emergency WA-U (600Hz-1.5kHz)
		Ch3	Ambulance PI-PO (450Hz-900Hz)
		Ch4	Machinery Fault (820Hz)
		Ch5	High Expansion (1kHz)
WP	5 Special Warning Sounds (1st Group)	Ch1	Fire.A-ANG (560Hz-1.5kHz)
		Ch2	Abandon Alarm (820Hz)
		Ch3	Machinery Fault (820Hz)
		Ch4	High Expansion (1kHz)
		Ch5	7 Short PI. / 1 Long (1kHz)
WM	5 Melodies	Ch1	Sweet Home
		Ch2	For Elise
		Ch3	Cuckoo's Waltz
		Ch4	Piano Sonata
		Ch5	Turkish March
WA	5 Alarms	Ch1	Beep Intermittent
		Ch2	Door Chime
		Ch3	Phone Ring
		Ch4	PI.PI.PI Short
		Ch5	Tripping Beat
WO	5 Special Warning Sounds (2nd Group)	Ch1	Rel rel rel (730Hz-920Hz)
		Ch2	Slow Ambulance PI-PO (820Hz-1.05kHz)
		Ch3	Wye yong Wye yong (770Hz-1.2kHz)
		Ch4	Phone ring 2 (740Hz-910Hz)
		Ch5	Fire.A-ANG (770Hz-1.11kHz)
WN	5 Special Warning Sounds (3rd Group)	Ch1	Oit Oit (500Hz-1.11kHz)
		Ch2	Pi o Pi o (940Hz-2.19kHz)
		Ch3	Slow Di o Di o (680Hz-840Hz)
		Ch4	Li long Li ling (420Hz-470Hz)
		Ch5	911 Siren (150Hz-1kHz)

### ■ Binary Input - Playing Built-in Sound

- In binary input mode, you can choose one sound from 30 sounds by configuring the 1 channels.
- This product has a terminal block to select a sound source. For further details, refer to page 5 'Bit/ Binary Input Method using Rear Terminal Block' section of this manual.
- For sound configurations, refer to the table below.
- Please be aware that the configuration for sound using the binary input method is different from the bit input method.

Binary input method sound configuration						
No.	Ch1	Ch2	Ch3	Ch4	Ch5	Type of sound
	ON(1) OFF(0)	ON(1) OFF(0)	ON(1) OFF(0)	ON(1) OFF(0)	ON(1) OFF(0)	
0	0	0	0	0	0	No sound
1	0	0	0	0	1	Fire.A-ANG (560Hz-1.5kHz)
2	0	0	0	1	0	Emergency WA-U (600Hz-1.5kHz)
3	0	0	0	1	1	Ambulance PI-PO (450Hz-900Hz)
4	0	0	1	0	0	Pi-ik Pi-ik (800Hz)
5	0	0	1	0	1	Machinery Fault (820Hz)
6	0	0	1	1	0	High Expansion (1kHz)
7	0	0	1	1	1	Alarm (1kHz)
8	0	1	0	0	0	Sweet Home
9	0	1	0	0	1	For Elise
10	0	1	0	1	0	Cuckoo's Waltz
11	0	1	0	1	1	Piano Sonata
12	0	1	1	0	0	Turkish March
13	0	1	1	0	1	Magic Flute
14	0	1	1	1	0	Badinerie
15	0	1	1	1	1	Pineapple Rag
16	1	0	0	0	0	Beep Intermittent
17	1	0	0	0	1	Door Chime
18	1	0	0	1	0	Phone Ring
19	1	0	0	1	1	PI.PI.PI Short
20	1	0	1	0	0	Tripping Beat
21	1	0	1	0	1	Rel rel rel (730Hz-920Hz)
22	1	0	1	1	0	Slow Ambulance PI-PO (820Hz-1.05kHz)
23	1	0	1	1	1	Wye yong Wye yong (770Hz-1.2kHz)
24	1	1	0	0	0	Phone ring 2 (740Hz-910Hz)
25	1	1	0	0	1	Fire.A-ANG (770Hz-1.11kHz)
26	1	1	0	1	0	Oit Oit (500Hz-1.11kHz)
27	1	1	0	1	1	Pi o Pi o (940Hz-2.19kHz)
28	1	1	1	0	0	Slow Di o Di o (680Hz-840Hz)
29	1	1	1	0	1	Li long Li ling (420Hz-470Hz)
30	1	1	1	1	0	911 Siren (150Hz-1kHz)

※ Please be noted that the configuration chart above is explaining how to wire terminal blocks. The actual product does not have a switch.

## Sound Type and Combination

### ■ Bit Input - Playing External Sound (SD Card)

- User can save sounds(MP3) to the SD card and able to select 1 sounds from 5 saved sounds.
- For channel selection method using terminal block, refer to page 5 'Bit/ Binary Input Method using Rear Terminal Block' section of this manual.
- For sound configurations, refer to the table below.

Bit input method sound source configuration						
No.	Ch1	Ch2	Ch3	Ch4	Ch5	Type of sound
	ON(1) OFF(0)	ON(1) OFF(0)	ON(1) OFF(0)	ON(1) OFF(0)	ON(1) OFF(0)	
0	0	0	0	0	0	No sound
1	1	0	0	0	0	Custom sound 1(01_xxx.mp3)
2	0	1	0	0	0	Custom sound2(02_xxx.mp3)
3	0	0	1	0	0	Custom sound3(03_xxx.mp3)
4	0	0	0	1	0	Custom sound4(04_xxx.mp3)
5	0	0	0	0	1	Custom sound5(05_xxx.mp3)

※ Please be noted that the configuration chart above is explaining how to wire terminal blocks. The actual product does not have a switch.

### ■ Binary Input - Playing External Sound (SD Card)

- Binary input mode chooses one of the 30 sounds by combining the on/ off switch of the 5 different channels to the associated tone.
- For channel selection method using terminal block, refer to page 5 'Bit/ Binary Input Method using Rear Terminal Block' section of this manual.
- For sound configurations, refer to the table below.
- Please be aware that the configuration for sound using the binary input method is different from the bit input method.

Binary input method sound source configuration						
No.	Ch1	Ch2	Ch3	Ch4	Ch5	Type of sound
	ON(1) OFF(0)	ON(1) OFF(0)	ON(1) OFF(0)	ON(1) OFF(0)	ON(1) OFF(0)	
0	0	0	0	0	0	No sound
1	0	0	0	0	1	Custom sound1(01_xxx.mp3)
2	0	0	0	1	0	Custom sound2(02_xxx.mp3)
3	0	0	0	1	1	Custom sound3(03_xxx.mp3)
4	0	0	1	0	0	Custom sound4(04_xxx.mp3)
5	0	0	1	0	1	Custom sound5(05_xxx.mp3)
6	0	0	1	1	0	Custom sound6(06_xxx.mp3)
7	0	0	1	1	1	Custom sound7(07_xxx.mp3)
8	0	1	0	0	0	Custom sound8(08_xxx.mp3)
9	0	1	0	0	1	Custom sound9(09_xxx.mp3)
10	0	1	0	1	0	Custom sound10(10_xxx.mp3)
11	0	1	0	1	1	Custom sound11(11_xxx.mp3)
12	0	1	1	0	0	Custom sound12(12_xxx.mp3)
13	0	1	1	0	1	Custom sound13(13_xxx.mp3)
14	0	1	1	1	0	Custom sound14(14_xxx.mp3)
15	0	1	1	1	1	Custom sound15(15_xxx.mp3)
16	1	0	0	0	0	Custom sound16(16_xxx.mp3)
17	1	0	0	0	1	Custom sound17(17_xxx.mp3)
18	1	0	0	1	0	Custom sound18(18_xxx.mp3)
19	1	0	0	1	1	Custom sound19(19_xxx.mp3)
20	1	0	1	0	0	Custom sound20(20_xxx.mp3)
21	1	0	1	0	1	Custom sound21(21_xxx.mp3)
22	1	0	1	1	0	Custom sound22(22_xxx.mp3)
23	1	0	1	1	1	Custom sound23(23_xxx.mp3)
24	1	1	0	0	0	Custom sound24(24_xxx.mp3)
25	1	1	0	0	1	Custom sound25(25_xxx.mp3)
26	1	1	0	1	0	Custom sound26(26_xxx.mp3)
27	1	1	0	1	1	Custom sound27(27_xxx.mp3)
28	1	1	1	0	0	Custom sound28(28_xxx.mp3)
29	1	1	1	0	1	Custom sound29(29_xxx.mp3)
30	1	1	1	1	0	Custom sound30(30_xxx.mp3)

※ Please be noted that the configuration chart above is explaining how to wire terminal blocks. The actual product does not have a switch.

## Operation Method and Setting

When Using a Built-in Sound Source		When Using an External Sound Source (SD Card)	
Bit input	Binary input	Bit input	Binary input
Play one of five sounds from 6 groups	Play one of 30 sounds	Play one of 5 sounds stored by the user	Play one of 30 sounds stored by the user

### ■ When using a built-in sound source in bit input mode

#### ※ Sound switch setting → Play mode switch setting → Channel selection

- Set the no. 1 switch of the SOUND setting switch to OFF to select built-in sound.
  - For more information, see page 4 'Sound Selection' section.
- Use one of the SOUND setting switches 2, 3 and 4 to select one of the 6 groups.
  - For more information, see page 4 'Sound Selection' section.
- Use the PLAY MODE setting switch to choose one of the modes between 1, 3, 5, 7, or 8.
  - Mode 8 is a test mode which continuously plays channel 1. (Channel selection is disabled.)
  - For details, refer to page 4 'Play Mode Setting' section.
- Use the terminal block on the back to select one of the five built-in sounds.
  - For more information, please refer to page 6 'Sound Type and Combination for Built-in Sound' - 'Bit Input' section.

### ■ When using a built-in sound source in binary input mode

#### ※ Sound switch setting → Play mode switch setting → Channel selection

- Set the no. 1 switch of the SOUND setting switch to OFF to select the built-in sound.
  - For more information, see page 4 'Sound' section.
- Use one of the SOUND setting switches 2, 3 and 4 to select one of the 6 groups.
  - For more information, see page 4 'Sound Selection' section.
- Use the PLAY MODE setting switch to select one of the modes between 2, 4, 6, or 8.
  - The 8th function is the test mode and the sound of channel 1 is continuously played. (Channel selection is disabled.)
  - For details, refer to page 4 'Play Mode Setting' section.
- Use the terminal block on the back to select one of the 30 built-in sounds.
  - For details, please refer to page 6 'Sound Type and Combination for Built-in Sound' - 'Binary input' section.

### ■ When using an external sound source (SD Card) in bit input mode

#### ※ Insert SD card → Sound switch setting → Play mode switch setting → Channel selection

- Please refer to page 5 'How to Select SD Card and Save Sound Files' section to see how to save sound files.
  - Supports up to 5 sound sources.
- Insert the SD Card into the SD Card slot.
- Set the no. 1 switch of the SOUND Selection switch to ON to select external sound.
  - For more information, see page 4 'Sound Selection' section.
- Use the PLAY MODE setting switch to select 1, 3, 5, 7 or 8 mode.
  - Mode 8 is a test mode which continuously plays channel 1. (Channel selection is disabled.)
  - For details, refer to page 4 'Play Mode Setting' section.
- To select a channel, use the terminal block on the back to select one of the 5 sounds stored by the user.
  - For more information, please refer to page 7 'Sound Type and Combination for SD Card' - 'Bit Input' section.

### ■ When using an external sound source (SD Card) source in binary input mode

#### ※ Insert SD card → Sound switch setting → Play mode switch setting → Channel selection

- Please refer to page 5 'How to Select SD Card and Save Sound Files' section to see how to save sound files.
  - Supports up to 30 sound sources.
- Insert the SD Card into the SD Card slot.
- Set the no. 1 switch of the SOUND selection switch to ON to select external sound.
- Use the PLAY MODE setting switch to select one of the modes between 2, 4, 6, or 8.
  - Mode 8 is a test mode which continuously plays channel 1. (Channel selection is disabled.)
  - For details, refer to page 4 'Play Mode Setting' section.
- Use the sound selection switch to select one of the 30 sounds stored by the user.
  - For details, please refer to page 7 'Sound Type and Combination for SD Card' - 'Binary Input' section.



## Technical Certification

- Qlight products are designed to meet strict quality and technical standards. Thus, the Qlight brand is widely recognized for its high quality and technical innovations from leading institutions around the world.



### ISO International Organization for Standardization

Qlight quality assurance systems have been certified by ISO by applying the ISO 9001:2008, KS Q ISO 9001:2009 regulation.



### IECEX International Explosion Proof Certification (IECEX)

Certified that Qlight's products are being manufactured and manage according to international standards.



### ATEX The European Regulatory Framework or Manufacture, Installation and Use of Equipment in Explosive Atmospheres

Qlight's explosion proof products comply with ATEX Directives 94/9/EC.



### NEPSI National Supervision and Inspection Center for Explosion Protection and Safety of Instrumentation

Qlight's design and manufacturing system meets the People's Republic of China National explosion proof Standard. (Chinese Standard-GB3836/GB12476)



### KCs Explosion Proof Device Safety Certification System

The safety performance of machines and equipment subject to safety certification and Technical capability and production system have been certified safety certification standards.



### TIIS Japan Explosion-proof Certification

TIIS is a Japanes explosion proof test and certification system accordance with the Ministry of Health, Labour and Welfare Notice and the explosion proof guidelines for factory electrical equipment. Qlight's explosion proof products hasve been tested and certified by TIIS.



### ABS American Bureau of Shipping

Qlight's design and quality assurance system has been certified by the American Bureau of Shipping.



### RMRS Russian Maritime Register of Shipping

Qlight's design and quality assurance system has been certified from Russian Maritime Register of Shipping.



### CCS China Classification Society

Qlight's design and quality assurance system has been certified by the China Classification Society.



### KR Korean Register of Shipping

Qlight's design and quality assurance system has been certified by the Korean Register of Shipping.



### LR Lloyd's Register

Qlight's design and quality assurance system has been certified from Lloyd's Register.



### E-mark Commission Directive Regarding Vehicle Industry

Qlight has obtained EU mark for approved vehicles and vehicle components sold into the EU(EEA : European Economic Area)



### KC Korea Safety Certification

Qlight's products are certified by KC for preventing accident caused by fire.



### KCC Conformity Assessment of Broadcasting Communication Equipment

Qlight has been certified to protect the electromagnetic environment that causes unwanted electromagnetic waves from the device, communication failure due to other devices or external radio waves, and malfunction of the device.



### CCC China Compulsory Certificate

Qlight's has obtained CCC which guarantees safety, protection against fraud, environment, etc.



### CCCF China Certification Center for Security & Protection

Qlight has passed the rigorous examination process of "Passing Fire Protection Products Centering" In order to sell fire-fighting products such as fire alarm equipment to Chinese market.



### UL Underwriters Laboratories

Qlight's design and quality assurance system has been certified from UL to ensure the stability of consumption goods and to protect consumers.



### CE European Commission

Qlight has been certified by the European Commission.



### ICAO International Civil Aviation Organization

Qlight guarantees our products satisfy the criteria regulated by the International Civil Aviation Organization(ICAO, FAA).

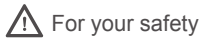


### RoHS2 Restriction of Hazardous Substances Directive

Qlight c omplies with the Restriction of Hazardous Substances Directive by limiting its use of hazardous materials.







For your safety

Specification and dimensions listed in this catalogue subject to change without notice for product quality improvement.  
The newest product information is available on our website.(www.qlight.com)  
Please read the instruction manual attached to the product carefully before installation and use.

**Qlight Co., Ltd.** [www.qlight.com](http://www.qlight.com) | [trade@qlight.com](mailto:trade@qlight.com)

Head Office | Suite #1510, STX-V Tower, 128 Gasan digital 1-ro, Geumcheon-gu, Seoul, Korea  
Tel. +82-2-2679-6152(Toll free : +82-80-328-2222) Fax : +82-2-2679-6154

Factory | 185-25, Mukbang-ro, Sangdong-myeon, Gimhae-si, Gyeongsangnamdo, Korea Tel. +82-55-328-1111  
(Toll free : +82-80-328-1111) Fax. +82-55-328-4064

Qlight Overseas Sales Dept | 704 Nakdong-daero, Sasang-gu, Busan, Korea(Eomgung-Dong) Tel : +82-51-620-4100 Fax. +82-51-243-9826

Qlight Public Relations & Marketing Team Office | 704 Nakdong-daero, Sasang-gu, Busan, Korea(Eomgung-Dong) Tel : +82-51-245-0017

**Qlight Co., Ltd.** [www.qlight.com](http://www.qlight.com) | [trade@qlight.com](mailto:trade@qlight.com)

Head Office | Suite #1510, STX-V Tower, 128 Gasan digital 1-ro, Geumcheon-gu, Seoul, Korea  
Tel. +82-2-2679-6152(Toll free : +82-80-328-2222) Fax : +82-2-2679-6154

Factory | 185-25, Mukbang-ro, Sangdong-myeon, Gimhae-si, Gyeongsangnamdo, Korea Tel. +82-55-328-1111(Toll free : +82-80-328-1111)

Qlight Overseas Sales Dept | 704 Nakdong-daero, Sasang-gu, Busan, Korea(Eomgung-Dong) Tel : +82-51-620-4100

Qlight Public Relations & Marketing Team Office | 704 Nakdong-daero, Sasang-gu, Busan, Korea(Eomgung-Dong) Tel : +82-51-245-0017

---

**Qlight USA, Inc.** [www.qlight.com](http://www.qlight.com) [www.qlightusa.com](http://www.qlightusa.com) | [sales@qlightusa.com](mailto:sales@qlightusa.com)

3003 North First Street, Suite #341, San Jose, CA 95134 USA Tel. +1.408.519.5740 Fax. +1.408.519.5739

---

**SHANGHAI Qlight Electronic Co., Ltd.** [www.qlight.com](http://www.qlight.com) [www.qlightcn.com](http://www.qlightcn.com) | [qlightcn@qlight.com](mailto:qlightcn@qlight.com)

China Factory/ Shanghai Sales Office | #19, Nanda Road, Baoshan Area, Shanghai, China Tel. +86.21.6651.7100 Fax. +86.21.6315.3929

**Qlight**  
Innovation in Alarm & Signal

Product Operation Inquiry / Customer Support +82-51-620-4100

You can expect prompt service if you have exact information such as model name, symptom, telephone number and address.

※ALL PRODUCT, PRODUCT SPECIFICATIONS AND DATA ARE SUBJECT TO CHANGE WITHOUT NOTICE TO IMPROVE RELIABILITY, FUNCTION OR DESIGN OR OTHERWISE.

Head office : Suite #1510, STX-V Tower, 128 Gasan digital 1-ro, Geumcheon-gu, Seoul, Korea (Postal Code : 08507)

Factory : 185-25, Mukbang-Ro, Sangdong-Myeon, Gimhae-Si, Gyeongsangnam-Do, Korea (Postal Code : 50805)

[www.qlight.com](http://www.qlight.com)