

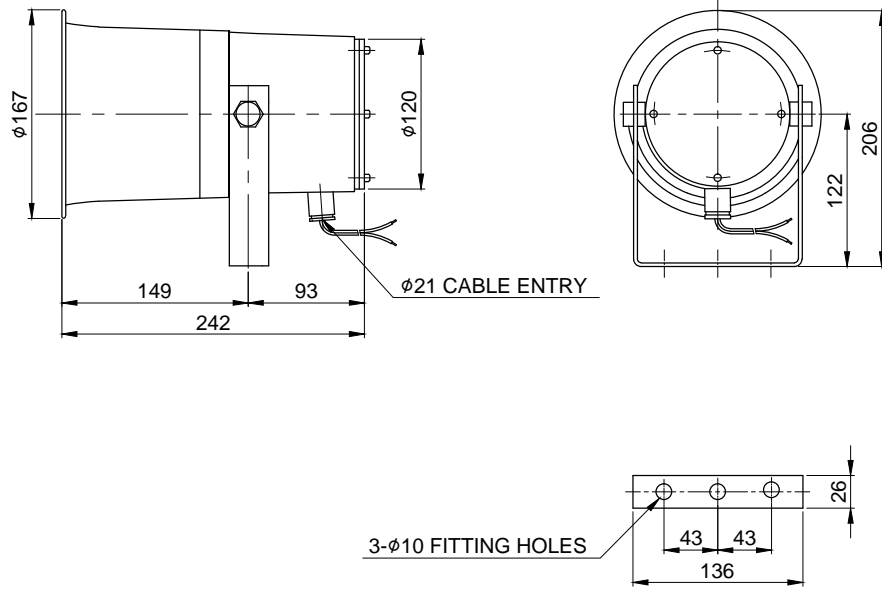
1 2 3 4 5 6

A

B

C

D



MARK	DATE	REVISION	REVISER	APP .BY
①				
②				
③				

MODEL NO		SEHN50		
MATERIAL		HOUSING-STEEL		
		HORN HOUSING-STEEL		
USE VOLT.	CURRENT	DC12V	MAX. 2.440A	
		DC24V	MAX. 1.186A	
		AC110V	MAX. 0.244A	
		AC220V	MAX. 0.122A	
KIND OF SOUND	WS	5 Warning Sounds		
	WM	5 Melodies		
	WA	5 Alarms		
	WV	5 Customizable sounds		
VOLUME		MAX. 120dB		
PROTECTION GRADE		WATER & DUST PROOF IP55		
CABLE ENTRY		21 LEAD HOLE		
COLOR OF HOUSING		RED		

FOR LINEAR DIMENSIONS	ISO2768-1 : CLASS OF TOLERANCE					SURFACE FINISH
	f	m	(C)	v		
0.5-3	±0.05	±0.1	±0.2	-		
3-6			±0.3	±0.5		
6-30	±0.1	±0.2	±0.5	±1		
30-120	±0.15	±0.3	±0.8	±1.5		
120-400	±0.2	±0.5	±1.2	±2.5		
400-1000	±0.3	±0.8	±2	±4		
FOR ANGULAR DIMENSIONS	0-10	±1°	±1°30'	±3°		
	10-50	±0°30'	±1°	±2°		
	50-120	±0°20'	±0°30'	±1°		
	120-400	±0°10'	±0°13'	±0°30'		

Nr.	DWG. NO.	TITLE/ NAME	MAT'L	QTY	REFERENCE
DSND BY	CHKD BY	CHKD BY	APRV BY	VIEW	DATE
S.H.KIM	J.H.PARK		J.K.HAN	3	2016.08.30
TITLE			MODEL		
SEHN50 OUTLINE DRAWING			SEHN50		
			DWG. NO.		
			SEHN50_OUT		
SCALE	SIZE	REV	SHEET		
N/S	A4	00	1/1		

1 2 3 4 5 6 A4(297X210)