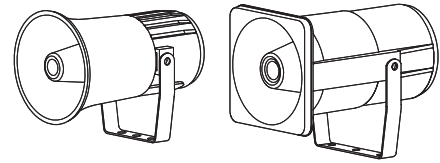


General Electric Horn

SRN/ SEN15/ SEN25



Thank you for purchasing Qlight's products. Please read this user manual carefully prior to installation and operation to ensure safe and correct use.

⚠ Precautions for Safety

Failure to follow the instructions below may cause a loss of life or serious physical injury.

1. During wiring or maintenance, please completely turn off the power of the product. (Failure to follow this may lead to an electric shock.)
2. Do not install the product in locations that subjects it to excessive dust or water other than the conditions designated by the IP protection ratings indicated for each product. (Failure to follow these instructions may cause a fire to the product, electric shock, physical injury, malfunction or damage to the product.)
3. Do not alter or repair this product. If maintenance or repair service is required, please contact your local Qlight contact point. (Failure to follow these instructions may lead to fire, electric shock, or product damage.)
4. Please apply the correct voltage to the product. (Failure to follow these instructions may lead to fire, electric shock, or product damage.)
5. When the product is applied to a condition that may impact lives or property, please make sure to have a double safety device. (Failure to follow this may cause damage to property, fire, electric shock and loss of life.)

⚠ Precautions for Correct Use

Failure to follow the proper instructions may cause damage to property, the product, and or malfunction of the product that would void the warranty.

1. Please remove any objects that can interrupt ventilation around the product.
2. Please turn off the power of the product immediately if it fails to operate properly.
3. Carefully wire the product according to each product's specification.
4. Please be careful in preventing chemicals such as thinner, benzene, etc. in contact with the surface of the product.
5. Do not apply excessive force/impact to the product.
6. Failure to follow any of the instructions above may cause malfunction or damage to the product, fire, and electric shock.

Ordering Specifications

SRN	WS	220	LC
[Model number]	[Sound]	[Voltage]	[Sound selection]
• SRN	• WS-Warning sounds	• 12/24	• (Blank)
• SEN15	• WM-Melodies	• -DC12V-24V	• -Standard type
	• WA-Alarms	• 110- AC110V	• LC Type
	• WV-Customizable sounds	• 220- AC220V	• -Uses external contact
• SEN25	• WS-Warning sounds	• 12-DC12V	• (Blank)
	• WM-Melodies	• 24-DC24V	• -Standard type
	• WA-Alarms	• 110- AC110V	• LC Type
	• WV-Customizable sounds	• 220- AC220V	• -Uses external contact

Product Specifications

Model number	Voltage	Current	Sound pattern	Certificates	Weight	
SRN	DC12-24V	Max. 0.320A	WS - 5 Warning sounds WM - 5 Melodies WA - 5 Alarms WV - 5 Customizable sounds	CE	0.72kg	
	AC110V	0.075A			0.98kg	
	AC220V	0.035A				
SEN15	DC12-24V	Max. 0.370A				0.76kg
	AC110V	0.080A				1.03kg
	AC220V	0.040A				
SEN25	DC12V	2.211A				0.95kg
	DC24V	1.022A				
	AC110V	0.226A				
	AC220V	0.113A		1.23kg		

※ CE compliant : DC12V-24V(SRN)

DC12V-24V, AC100V/220V(SEN15/SEN25)

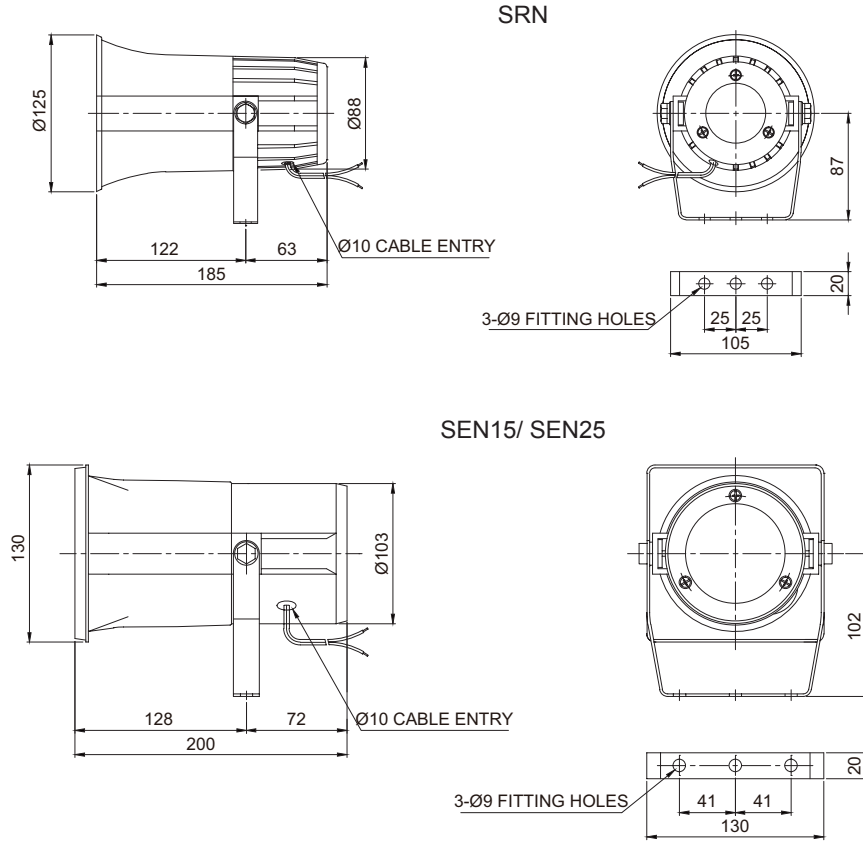
• Protection rating : IP55

• Ambient operating temperature : -25°C to +50°C



Please scan the QR code for more detailed product information.

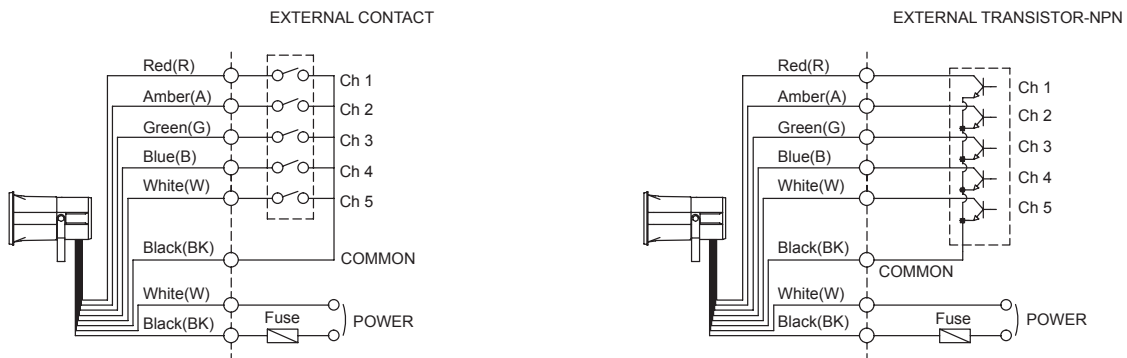
www.qlight.com



Sound Selection and Wiring Instructions

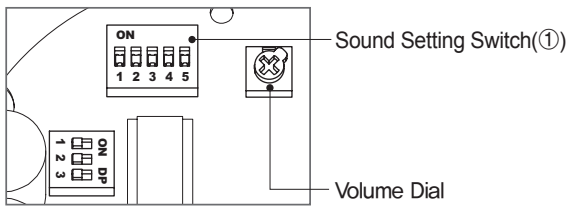
- Standard : Internal switch
- Internal switch allows to choose sound pattern for SRN/ SEN15/ SEN25 models

SRN/ SEN15/ SEN25-DC/AC



- External power line - VCTF(0.75sq x 2C) x 400mm
- External signal line - UL1007 AWG22(0.3sq) 400mm
- This product can be wired regardless of polarity.

Sound Selection

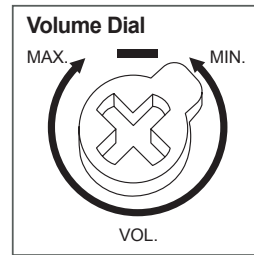


- Standard unit has 5 built-in sound tones. Select different built-in sounds using the sound setting switch(1).

■ Sound Type by Group

Category	Sound pattern	Channel	Sound tone	Volume (Max.)	
				SRN, SEN15	SEN25
WS	5 Warning sounds	Ch1	Fire.A-ANG	108dB	115dB
		Ch2	Emergency WA-U		
		Ch3	Ambulance PI-PO		
		Ch4	Machinery Fault		
		Ch5	High Expansion		
WM	5 Melodies	Ch1	Sweet Home	108dB	115dB
		Ch2	For Elise		
		Ch3	Cuckoo's Waltz		
		Ch4	Piano Sonata		
		Ch5	Turkish March		
WA	5 Alarms	Ch1	Beep Intermittent	105dB	113dB
		Ch2	Door Chime		
		Ch3	Phone Ring		
		Ch4	PI.PI.PI Short		
		Ch5	Tripping Beat		
WV	5 Customizable sounds	Ch1-Ch5	Available upon request (customized voice type)	98dB	108dB

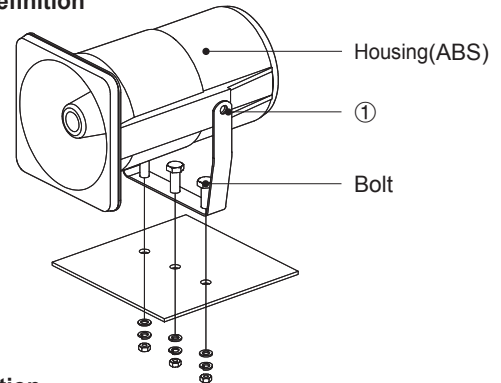
Volume Adjustment



- The volume output of this product is adjustable.
- Turn the volume dial clockwise to increase the volume, and turn counter clockwise to decrease the volume.
- There will be no sound when the dial is put at MIN.

Parts Definition/ Installation

■ Parts Definition



■ Installation

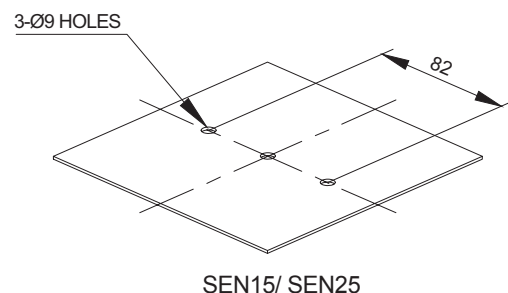
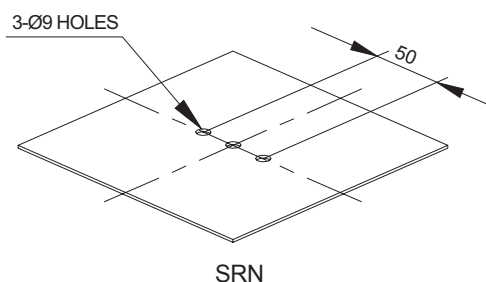
- First, machine holes on the mounting surface
- The mounting hole of this product is 9mm in diameter.
- If the tap is machined, fasten the bolt through the mounting hole of the product.
- When machining holes, insert the bolt through the hole of the product, and tighten the nut from the opposite side of the mounting surface.

■ Adjusting the Angle of the Horn Housing

- When adjusting the phase and lower angle of the mixed housing after product cancellation Loosen the bracket fixing bolts(1) on the side of the product slightly to adjust the desired angle.

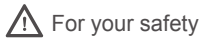
Mounting Hole Specifications

- Machine holes on the mounting surface referring to the diagram below.



Installation Environment and Protection Rating

- This product is designed for use with protection rating of IP55.
- If the product is installed in locations that subject it to excessive dust or water other than the designated IP protection rating indicated(IP55), it may cause malfunction or damage to the product.
- In case of outdoor applications, install the product in the upright position. Do not install the product horizontal or upsidedown positions where water can potentially penetrate into the product and impact it's operation.
- For further information, please visit our website (www.qlight.com).



For your safety

Specification and dimensions listed in this catalogue subject to change without notice for product quality improvement.
The newest product information is available on our website.(www.qlight.com)
Please read the instruction manual attached to the product carefully before installation and use.

Qlight Co., Ltd. www.qlight.com | trade@qlight.com

Head Office | Suite #1510, STX-V Tower, 128 Gasan digital 1-ro, Geumcheon-gu, Seoul, Korea Tel. +82-80-328-2222 Fax : +82-2-2679-6154

Factory | 185-25, Mukbang-ro, Sangdong-myeon, Gimhae-si, Gyeongsangnamdo, Korea Tel. +82-80-328-1111

Qlight Overseas Sales Dept | 704 Nakdong-daero, Sasang-gu, Busan, Korea(Eomgung-Dong) Tel : +82-51-620-4100

Qlight Public Relations & Marketing Team Office | 704 Nakdong-daero, Sasang-gu, Busan, Korea(Eomgung-Dong) Tel : +82-51-245-0017

Qlight USA, Inc. www.qlight.com www.qlightusa.com | sales@qlightusa.com

3003 North First Street, Suite #341, San Jose, CA 95134 USA Tel. +1.408.519.5740 Fax. +1.408.519.5739

SHANGHAI Qlight Electronic Co., Ltd. www.qlight.com www.qlightcn.com | qlightcn@qlight.com

China Factory/ Shanghai Sales Office | #19, Nanda Road, Baoshan Area, Shanghai, China Tel. +86.21.6651.7100 Fax. +86.21.6315.3929

Qlight
Innovation in Alarm & Signal

Product Operation Inquiry / Customer Support +82-51-620-4100

You can expect prompt service if you have exact information such as model name, symptom, telephone number and address.

※ALL PRODUCT, PRODUCT SPECIFICATIONS AND DATA ARE SUBJECT TO CHANGE WITHOUT NOTICE TO IMPROVE RELIABILITY, FUNCTION OR DESIGN OR OTHERWISE.

Head office : Suite #1510, STX-V Tower, 128 Gasan digital 1-ro, Geumcheon-gu, Seoul, Korea (Postal Code : 08507)

Factory : 185-25, Mukbang-Ro, Sangdong-Myeon, Gimhae-Si, Gyeongsangnam-Do, Korea (Postal Code : 50805)

www.qlight.com

EN - SRN -1911A