

SM series

Motor Sirens



120dB



SM200

123dB



SM400



Continuous operation rating time of SM400 is 3 mins. Over 3 mins of continuous operation may cause damage to the motor. Please be careful.



Ordering Specification

SM200	-	24
[Model number]		[Voltage]
• SM200		• 24-DC24V
• SM400		• 110-AC110V
		• 220-AC220V

SM200 120dB Heavy-Duty Motor Siren

- Excellent durability and high volume are suitable for noisy environment
- Motor RPM : 7,200RPM
- Materials : Steel/Al
- Ambient operation temperature : -25°C to +50°C
- Certificates : CE Compliant
- Housing standard color : Red
- Insulation resistance : 100MΩ(at 500 VDC)
- Protection rating : IP 44



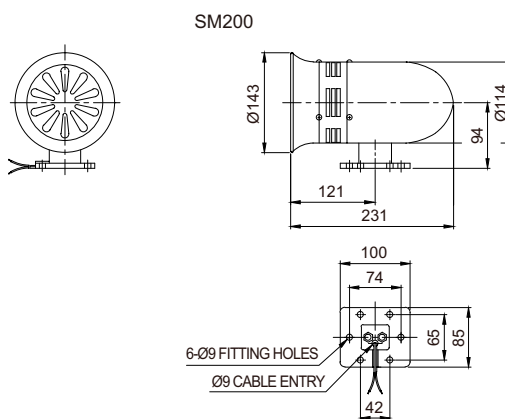
Specifications

Model number	Volume	Voltage	Current	Certificates	Weight	Rated time
SM200	120dB	DC24V	7.820A	CE	2.19kg	10 min
		AC110V	2.105A		2.55kg	
		AC220V	1.005A		2.55kg	



Technical Diagram

(Units : mm)



SM400 Sound 123dB Heavy-Duty Motor Siren

- 123dB high volume model suitable for long-distance audible signal in noisy environments
- Motor RPM : 7,600RPM
- Materials : Steel/ABS
- Ambient operation temperature : -25°C to +50°C
- Housing standard color : Red
- Insulation resistance : 100MΩ(at 500 VDC)
- Protection rating : IP 44



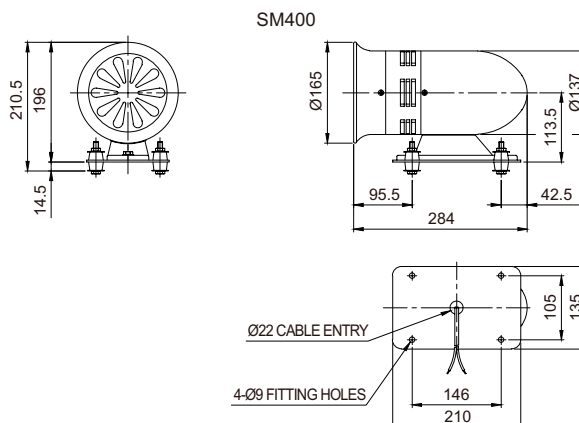
Specifications

Model number	Volume	Voltage	Current	Certificates	Weight	Rated time
SM400	123dB	DC24V	12.000A	-	3.19kg	3 min
		AC110V	6.300A		3.75kg	
		AC220V	3.800A		3.75kg	



Technical Diagram

(Units : mm)



Warning/
Signal/
Stackable



Signal &
Electric Horn/
Speakers



Vessels and
Heavy-Duty
Equipment



Explosion
Proof



Warning
Light Bar



Aviation
Obstruction
Lights



Signal Tower
Lights



USB/ETN
Signal Tower
Lights



Electric Horn/
Speakers



Industrial
LED Lights