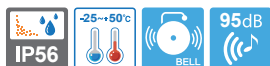


SAB series

Alarm Bells with Lamp Attached for Vessels and Heavy Industrial Applications



SAB130
-Bell housing Ø130mm

SAB200
-Bell housing Ø200mm

95dB



SAB130

95dB



SAB200

SAB130/ SAB200 Max 95dB

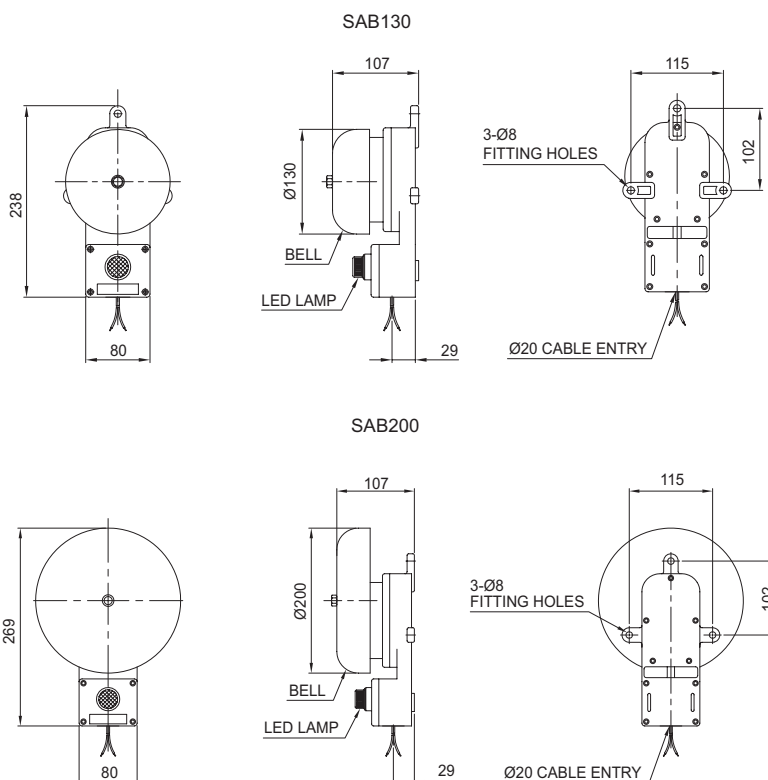
- Electric solenoid bell system provides excellent durability to vibration and shock for vessels and large facilities
- Special material for bell housing provides clear and crisp alarm sound
- Excellent vibration and shock resistant structure for superior durability
- Easy wiring and maintenance with terminal box attached
- Lamp attached provides visual signals
- Bell and lamp operation is synchronized. Each function can also operate separately
- Sound volume : Max 95dB at 1m
- Standard color : Housing-beige, Bell/ Lamp-Red
- Materials : Bell-Steel, Housing-ABS
- Ambient operating temperature : -25°C to +50°C
- Protection rating : IP56
- Cable entry : Ø20

Specifications

Model number	Frequency	Volume	Bell diameter	Voltage	Current	Certificates	Weight	Bell/ Lamp color
SAB130	400-600Hz	95dB	130mm	DC24V	1.100A	-	1.88kg	• R-Red
SAB200				AC110V	0.350A			
			200mm	AC220V	0.300A		2.00kg	

Technical Diagram

(Units : mm)



Customization

- Two way cable entries with PG19

Ordering Specification

SAB200 [Model number]	-	110 [Voltage]	-	CG [Cable gland]
<ul style="list-style-type: none"> • SAB130 • SAB200 		<ul style="list-style-type: none"> • 24-DC24V • 110-AC110V • 220-AC220V 		<ul style="list-style-type: none"> • Standard • Back wiring type • CG • Built-in cable gland type