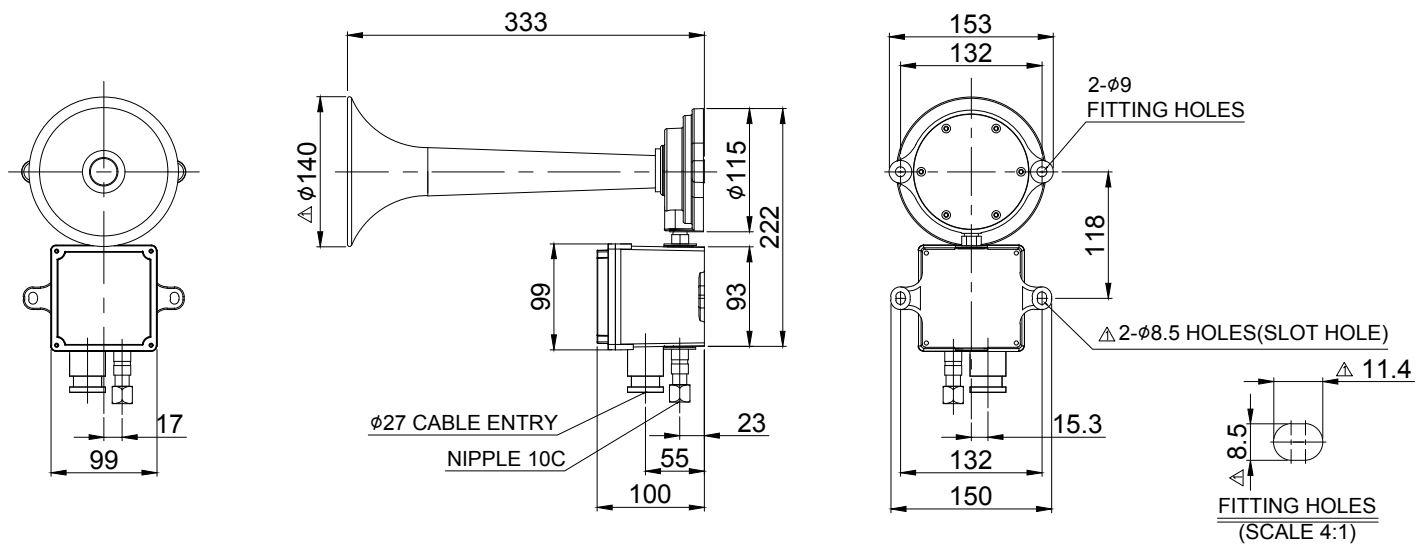


MARK	DATE	REVISION	REVISER	APP. BY
△1				
△2				
△3				

MODEL NO		SANA200		
MATERIAL		HON HOUSING-PC SOLENOID VALVE BOX-ABS		
USE VOLT.	CURRENT	DC24V	0.448A	
		AC110V	0.111A	
		AC220V	0.055A	
VOLUME	MAX. 130dB at 1m			
PROTECTION GRADE	WATER & DUST PROOF IP56			
CABLE ENTRY	φ27 CABLE			
COLOR OF HOUSING	RED, BLACK, MUNSELL NO.75BG 7/2			
AIR PRESSURE	5~7kg/cm <sup>2</sup>			



	ISO2768-1 : CLASS OF TOLERANCE					SURFACE FINISH
	f	m	(C)	v		
FOR LINEAR DIMENSIONS	0.5~3	±0.05	±0.1	±0.2	-	
	3~6			±0.3	±0.5	
	6~30	±0.1	±0.2	±0.5	±1	
	30~120	±0.15	±0.3	±0.8	±1.5	
	120~400	±0.2	±0.5	±1.2	±2.5	
	400~1000	±0.3	±0.8	±2	±4	
FOR ANGULAR DIMENSIONS	0~10	±1°		±1°30'	±3°	
	10~50	±0°30'		±1°	±2°	
	50~120	±0°20'		±0°30'	±1°	
	120~400	±0°10'		±0°13'	±0°30'	

Nr.	DWG. NO.	TITLE/ NAME		MAT'L	QTY	REFERENCE
DSND BY	CHKD BY	CHKD BY	APRV BY	VIEW	DATE	
S.H.KIM	J.H.PARK		J.K.HAN	3	2019.03.20	
TITLE			MODEL			
SANA200 OUTLINE DRAWING			SANA200			
DWG. NO.			SANA200_OUT			
SCALE	SIZE	REV	SHEET			
N/S	A4	01	1/1			

