

1 2 3 4 5 6

A

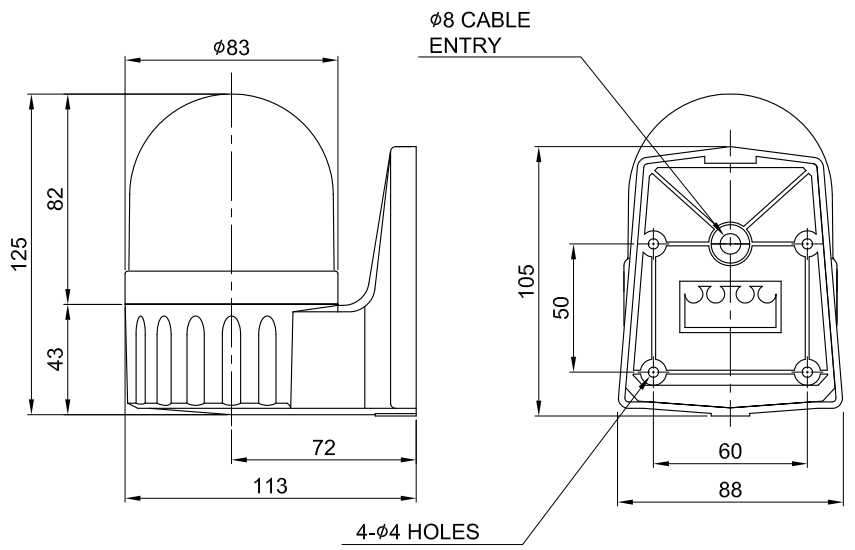
B

C

D

MARK	DATE	REVISION	REVISER	APP.BY
△				
△				
△				

MODEL NO		S80AR			
MATERIAL		HOUSING-ABS			
		LENS-AS			
		REFLECTOR-HEAT RESISTING ABS			
COLOR OF LENS		RED( ), AMBER( ), GREEN( ), BLUE( )			
REV. PER MIN		120 ~ 140			
USE VOLT.	BULB	CURRENT	DC12V	5W	MAX. 0.484A
			DC24V		MAX. 0.310A
			AC110V		MAX. 0.080A
			AC220V		MAX. 0.040A
VOLUME		MAX. 90dB at 1m			
PROTECTION GRADE		WATER & DUST PROOF IP44			
CABLE ENTRY		ø8 LEAD HOLE			
COLOR OF HOUSING		MAKER STANDARD			
ACTION		BULB REVOLVING WARNING LIGHT			



FOR LINEAR DIMENSIONS	ISO2768-1 : CLASS OF TOLERANCE				
	f	m	Ⓢ	v	
0.5-3			±0.2	-	
3-6	±0.05	±0.1	±0.3	±0.5	
6-30	±0.1	±0.2	±0.5	±1	
30-120	±0.15	±0.3	±0.8	±1.5	
120-400	±0.2	±0.5	±1.2	±2.5	
400-1000	±0.3	±0.8	±2	±4	
FOR ANGULAR DIMENSIONS	0-10	±1°	±1°30'	±3°	
	10-50	±0°30'	±1°	±2°	
	50-120	±0°20'	±0°30'	±1°	
	120-400	±0°10'	±0°13'	±0°30'	

SURFACE FINISH		-		1		-	
Nr.	DWG. NO.	TITLE/ NAME		MAT'L	QTY	REFERENCE	
DSND BY	CHKD BY	CHKD BY	APRV BY	VIEW	DATE		
S.H.KIM	J.H.PARK		J.K.HAN	3	2016.08.30		
TITLE			MODEL				
S80AR OUTLINE DRAWING			S80AR				
			DWG. NO.				
			S80AR_OUT				
SCALE	SIZE	REV	SHEET				
N/S	A4	00	1/1				

1 2 3 4 5 6

A4(297X210)